

Battery Case with Small Corner Radius

- Mass-Produced
- Prototyping Available
- Independent development

Body

Product Features

• A battery case that maximizes loading capacity through our advanced small-radius forming technology.

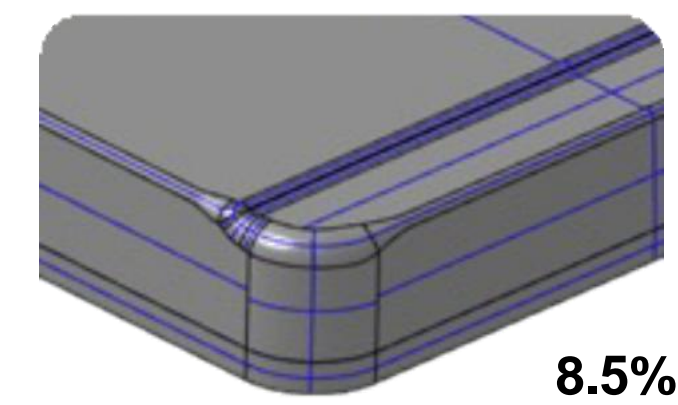
Product Technology

Our proprietary forming technology enables significantly smaller corner radii than conventional methods.

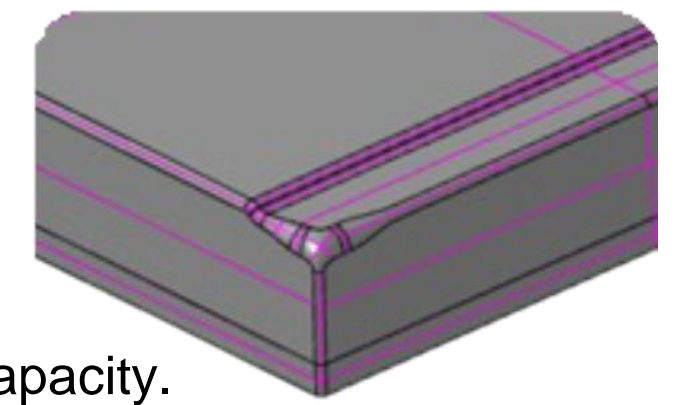


Compatible with both **Steel** and **Aluminum** materials.

Steel



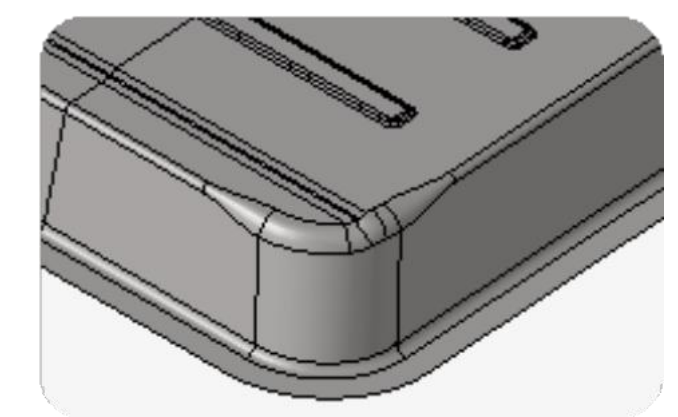
Corner Radius **R60**



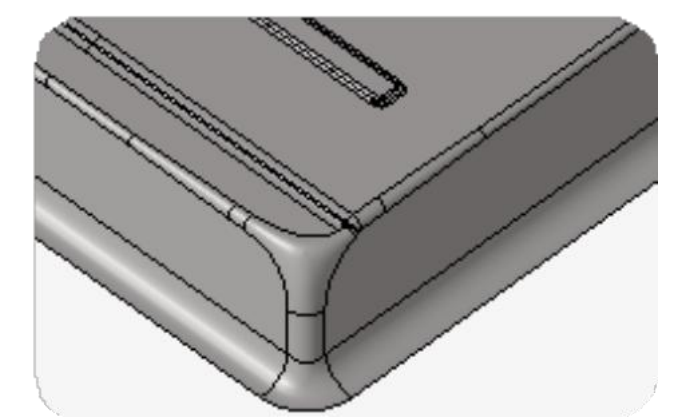
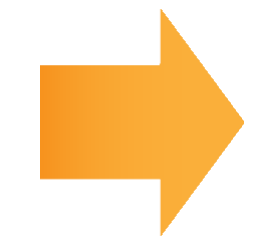
Corner Radius **R5**

W × L: 600 × 1200
8.5% Increase in loading capacity.

Aluminum



Corner Radius **R80**



Corner Radius **R15**

W × L: 600 × 1200
7.6% Increase in loading capacity.



Pressing Toward a Brighter Tomorrow