

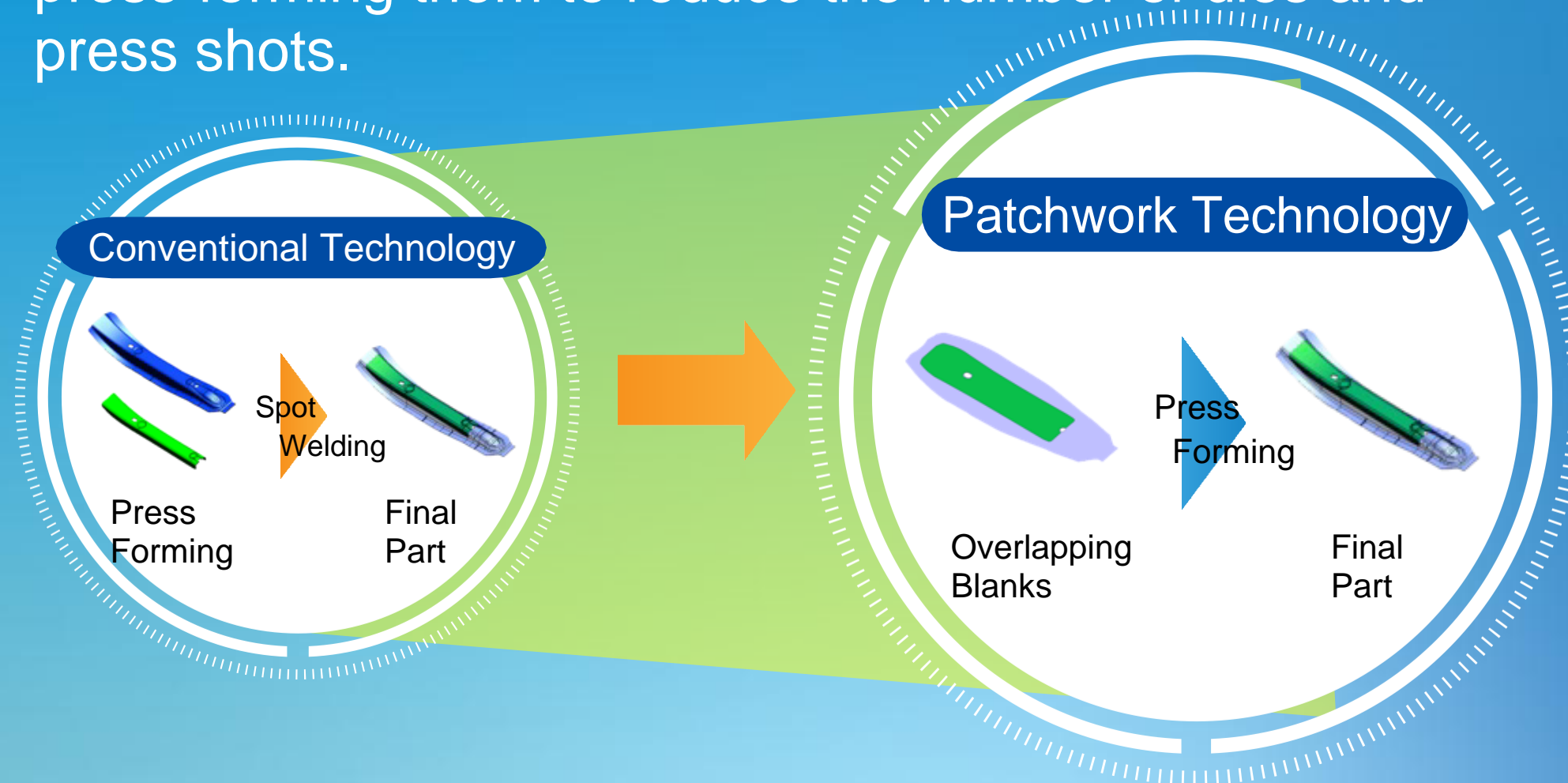
Cold Patchwork Technology

- Mass-Produced
- Prototyping Available
- Independent development

Body

Product Features

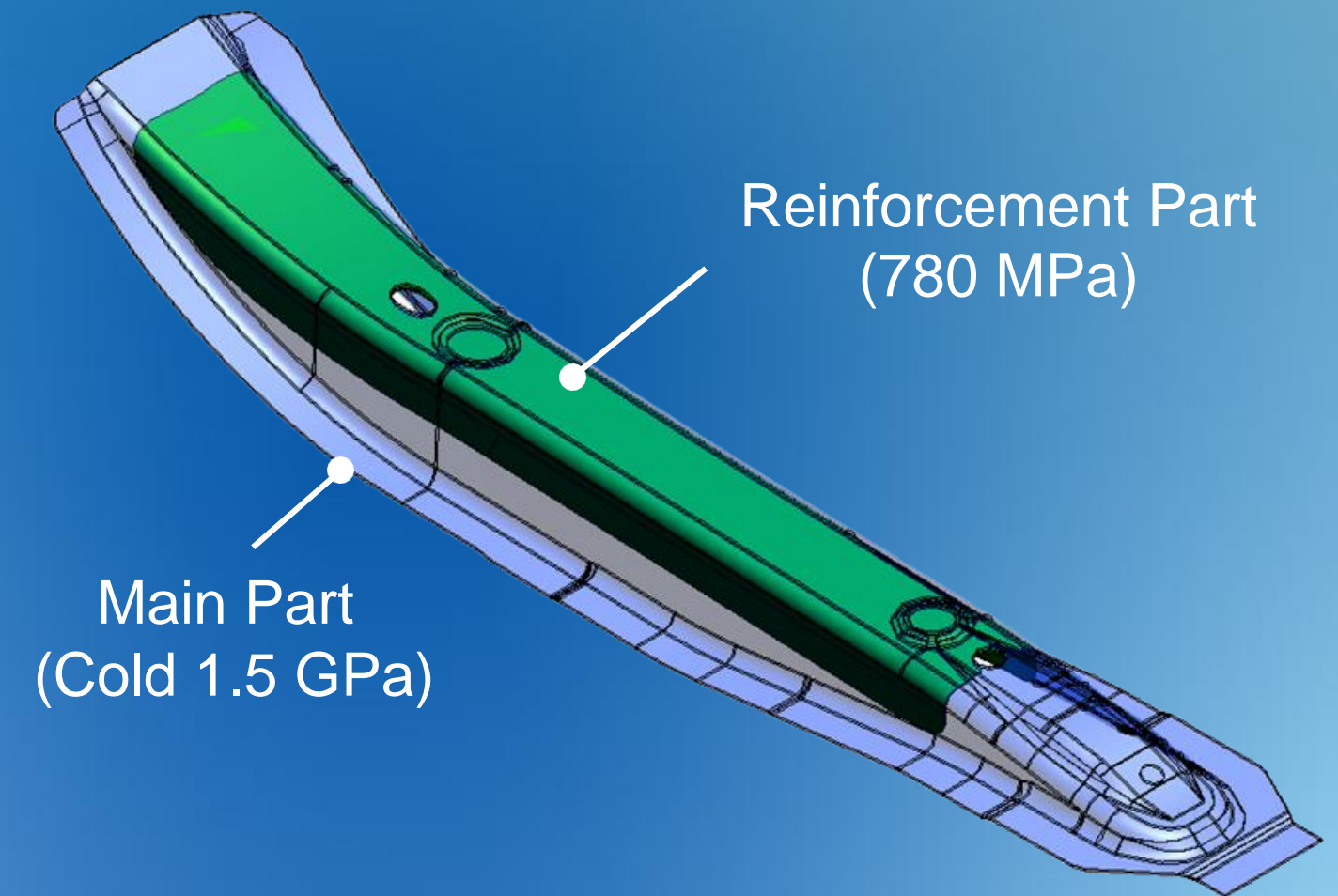
- Contributes to cost reduction by stacking and welding steel sheets of different thicknesses and materials, then press-forming them to reduce the number of dies and press shots.



Prototype Example

- Successfully produced prototypes using cold 1.5 GPa steel by leveraging our high-tensile material welding and forming technologies.

Floor Member



Application Effects

※ Note: These results are not guaranteed for all cases.

